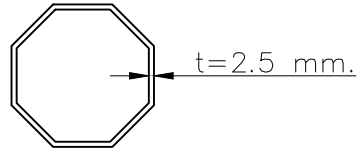
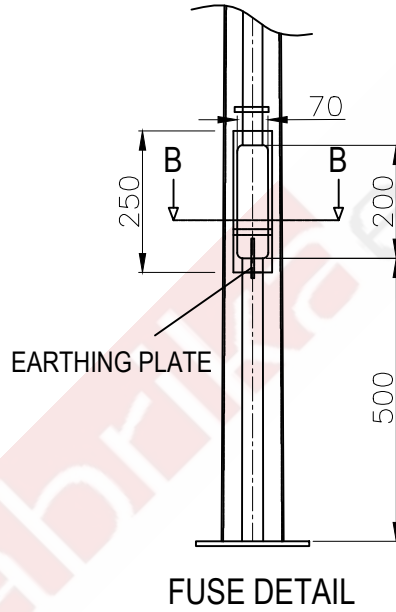


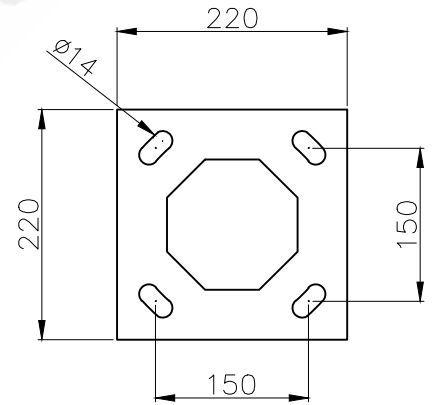
A - Detail



A-A Section

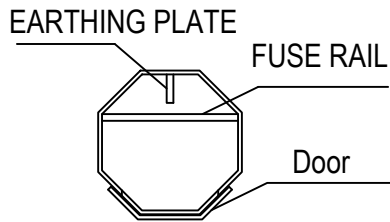


FUSE DETAIL



BASE PLATE

8mm x 220 x 220



B-B Section

AKSI BELİRTİLMEDİKCE TÜM ÖLÇÜLER mm'DİR / ALL DIMENSIONS ARE IN mm

St 37 - S235JR - EN 10025	<input checked="" type="checkbox"/>	St 52 - S355JR Yük. Day. Çelik	<input type="checkbox"/>
AISI 304 Pas. çelik / Stainless Steel	<input type="checkbox"/>	AISI 316 Pas. çelik / Stainless Steel	<input type="checkbox"/>

Yüzey Kaplama / Surface Coating			
Sıcak Dal. Galv. / Hot Dip Galv. EN ISO 1461	<input checked="" type="checkbox"/>	E. statik Fırın Boya/Powder Coat	<input type="checkbox"/>
Elektro Galvaniz / Electro galvanizing	<input type="checkbox"/>	Astar + Epoksi Boya / Epoxy Paint	<input type="checkbox"/>

Galvaniz / Hotdip Galvanize Standart EN ISO 1461-TS914
Standart Çelik / Standart Steel EN 10025
Civata Somun / Bolts Standard: ISO 898.1/5.8

 www.fabrikaenerji.com	PROJE ADI / PROJECT NAME		
	AD 50 /00		
CİZEN/DRAWN BY	KONTROL/CONTROL	ONAY/APPROVE	
Y.AKGÜL	E.AYGÜN	E.AYGÜN	
PAFTA NO/SIRA NO	REVİSYON/REVISION	ÖLÇEK/SCALE	
05/02/2016	00	NTS	